

Modulo Ordinazione Standard Order Form FINNEDPLUS - BATTERY

Dati Generali/ General Data

Quantità/Number	
Tensione/Voltage (V)	
Potenza/Power (W)	
N° Stadi/N° Levels	
Termostato/Thermostat	<input type="checkbox"/> TC <input type="checkbox"/>

Areazione/ Aeration

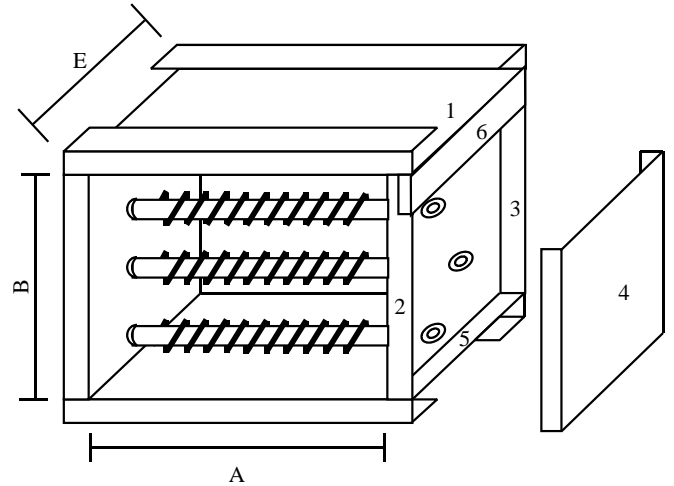
Naturale/ Natural	<input type="checkbox"/>	Forzata/ Forced	<input type="checkbox"/>
		m ³ /h	
		m/s	

Posizione Uscita Fili/ Position Exit Cables

1	<input type="checkbox"/>	2	<input type="checkbox"/>	3	<input type="checkbox"/>	4	<input type="checkbox"/>	5	<input type="checkbox"/>	6	<input type="checkbox"/>
---	--------------------------	---	--------------------------	---	--------------------------	---	--------------------------	---	--------------------------	---	--------------------------

Dimensioni/Dimensions

Dim "A"	
Dim "B"	
Dim "E"	



Per calcolare la dimensioni totali d'ingombro aggiungere 100mm in larghezza e 60mm in altezza.

To calculate the total size of space to add 100mm in width and 60mm in height.

Note e/o Schizzo
Notes/Design

Committente/Commissioner

Data/Date

Firma/Signature
